

CMRI CERT NO.: - CIMFR/TC/SR/H473
 SUPPLE. T.C. NO.: - CIMFR/TC/S/180
 CAT.NO.: - KIB-JB2

TECHNICAL DATA

ENCLOSURE :-
 EX-d AS PER IS/IEC 60079-1:2007
 SUITABLE FOR INSTALLATION IN HAZARDOUS LOCATION

PROTECTION :-
 IP-65 AS PER IS/IEC (60529:2001)

AREA CLASSIFICATION :-
 ZONE -1 & 2

GAS GROUPS :-
 IIB

TEMPERATURE CLASS :-
 T6

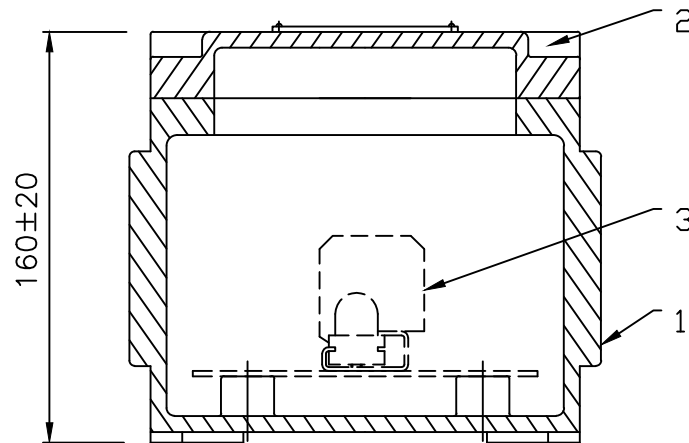
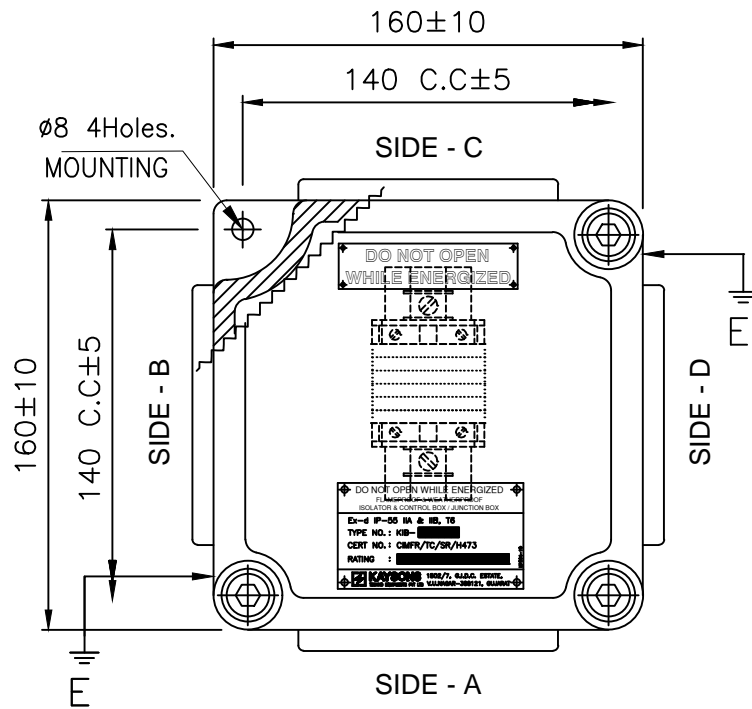
MATERIAL OF CONSTRUCTION :-
 CAST AL ALLOY LM-6

HARDWARE :-
 STEEL ZINC PLATED/STAINLESS STEEL

FINISH :-
 LIGHT GREY

EARTHING :-
 1 NO. INSIDE & 2 NOS. OUTSIDE


CABLE ENTRY :-
 TO BE SPECIFIED WHILE ORDERING.



CABLE ENTRY & TERMINAL DETAILS

NO.	DESCRIPTION	QTY	MAT./RATING	SR. NO.	TAG NO.	SIDE-A	SIDE-B	SIDE-C	SIDE-D	NO. OF CABLE ENTRY	NO. OF TERMINAL	QTY.

NO.	DESCRIPTION	QTY	MAT./RATING	SR. NO.	TAG NO.	SIDE-A	SIDE-B	SIDE-C	SIDE-D	NO. OF CABLE ENTRY	NO. OF TERMINAL	QTY.
03.	TERMINAL											
02.	COVER	1	CAST AL. ALLOY									
01.	BODY	1	CAST AL. ALLOY									

CLIENT :-		DRAWN	KBP	1.8.13	DESCRIPTION:- FLAMEPROOF WEATHERPROOF JUNCTION BOX / ENCLOSURE		
CONSULTANT :-		APP'D	HPB	1.8.13			
P.O.NO. :-		CH'D	NPB	1.8.13			
 KAYSONS 1802/7, G.I.D.C. ESTATE, TECHNO EQUIPMENTS PVT LTD V.U.NAGAR 388121. (GUJARAT)					SHT.NO. 1 OF 1	REV. 0	DRG.NO.:- I01

THE INFORMATION CONTAINED IN THIS DRAWING IS THE PROPERTY OF KAYSONS TECHNO EQUIPMENTS PVT. LTD. AND IS NOT TO BE COPIED OR MISUSED IN ANY WAY.

ISSUE	DATE	BY	MODIFICATION